

THIEL J.E.T. collection

SCS4T

Coherent Source® Loudspeaker



OWNER INFORMATION

Congratulations on your purchase of the THIEL SCS4T. This product is the result of a dedicated effort to provide very accurate and realistic sound reproduction. We have used very high quality components and taken great care in the SCS4T's construction. Properly set up and used with good associated equipment, the SCS4T will provide you with a great deal of sonic enjoyment for many years.



Kathy Gornik, President/CEO, THIEL Loudspeakers

SPEAKER PLACEMENT

The SCS4T is specifically designed to give a high level of performance from a variety of room locations and positions. Though they are ideally placed well away from walls for the best tonal and spatial performance, they work well within the constraints of typical domestic use such as near-wall placement. Because the SCS4T is magnetically shielded, it can be placed on or near video displays without causing picture distortion.

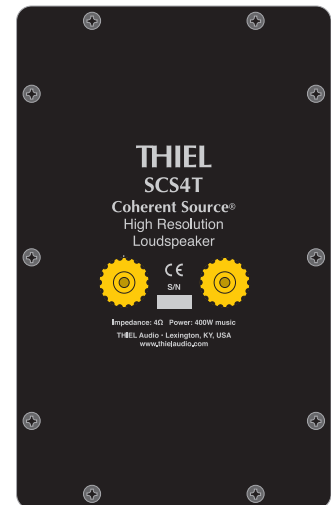
All aspects of speaker placement are dependent on the particular room. Since every room is different, no hard rules can be given, and experimentation is necessary to achieve the best results. Experiment with both placement of the speakers within the room and the degree of toe-in to optimize the sound for your environment. It is helpful to not install the spikes until the speakers are finally positioned.

CONNECTING THE SPEAKERS

The SCS4T's input terminals are located on the rear of the speaker. The SCS4T uses a 5-way binding post which accepts several types of speaker cable termination. *Make sure that all connections are tight.* The input terminals are designed to be easily tightened by hand or a 1/2 inch nut driver can be used.

It is essential for proper performance that both speakers in a stereo system be wired in the same polarity. The speaker's input terminals are color coded to facilitate this. The wire connected to the red ringed input terminal of each speaker should connect to the respective positive (+) output terminals of the amplifier; the wire connected to the black ringed input terminals should be connected to the respective negative (-) output terminals of the amplifier.

The speakers should be connected to the amplifier with high quality cable to ensure minimal loss of power and proper control by the amplifier. If the speakers are being connected to a vacuum tube amplifier with various impedance taps, the 4 ohm tap will usually give the best results.



Rear input panel

BREAK-IN

The SCS4Ts, like most speakers, require a period of playing before they perform optimally. The time depends on how loudly the speakers are played; more time is required if played softly, less if played loudly. At least 50 hours at moderately loud levels are required before the speaker is performing near optimum. You should notice even more improvement after 100 hours of playing.

ASSOCIATED EQUIPMENT

The SCS4T is a very high quality sound reproducer and will benefit from use with the best associated equipment. Since it is extremely accurate, it will reveal sources of distortion generated elsewhere in the system. For example, distortion resulting from poor recordings or inferior electronics will be reproduced accurately. Also, the quality of the interconnect cables and speaker cables will significantly effect the performance of the system.

POWER REQUIREMENTS

It is important to have enough power to play at the level you desire without distortion. If you play the speakers more loudly than the volume the amplifier can cleanly produce, the amplifier will produce overload (clipping) distortion. The sound will become compressed, strained, and in extreme cases, obviously distorted. This distortion is actually non-musical *additional energy* and since it is concentrated in the high frequency region where the speaker is least able to handle it, tweeters can be damaged in extreme cases. If high sound levels are desired, the SCS4Ts are designed to be used with amplifiers rated up to 200 watts per channel.

Keep in mind that sound *quality* is usually more important than sound *quantity*. There can be large differences in the sonic performance of two amplifiers of equal power, and this is more important than large differences in power. Most everyone will be happier with a 100 watt amplifier of high sonic quality than a 200 watt amplifier of mediocre sonic quality. For this reason, we feel there is no substitute for listening in making your amplifier decision.

The question “how much power do I need?” does not have the simple answer most people expect because it is not determined only by the loudspeaker’s efficiency, but also by the volume desired and the size of the room. If all three factors are average, about 100 watts per channel is required. Each factor can raise or lower this amount by about three times.

1) Usually, people who “don’t like music loud” can decrease their power to about one-half. Also, people who like music loud should increase their power by 2 times or more. Most people fall within a normal range.

2) A speaker with a low efficiency of 84dB/2.8 V-1-m will require twice the power of an average 87dB/2.8 V-1-m speaker and one with a high rating of 90dB/2.8 V-1-m will require only half the power of an average speaker. The SCS4T is of average efficiency (87dB) and therefore can achieve average output levels with an average amount of power.

3) A small room will need less power for a given loudness level than a large room. A very small room of 1000 cu. ft. (11' x 11' with an 8' ceiling) will require about half the power of an average size room. A large room of 6000 cu. ft. (20' x 30' with a 10' ceiling) will require twice the average power. If the listening room is connected to another room by a large open area, the required power will increase but not by the amount of the combined room volume. If the room has a “dropped” ceiling with light panels, the ceiling will be almost transparent acoustically and the space above the ceiling should be added. If the panels are heavy, they will act as a more normal ceiling.

With all this in mind, a person who doesn’t like to play music very loudly and has a small room can get quality sound with the SCS4T with 50 watts or even less whereas a person who sometimes likes to play loudly and has a large room may need 200 watts or more.

CABINET FINISH CARE

THIEL Loudspeakers wood cabinets possess a high quality lacquer finish that is both beautiful and durable. However, any wood finish can be damaged by excessive moisture, dryness, or direct sunlight. When cleaning your speakers, avoid using oils, waxes, or polishes that contain silicone, such as Pledge or Johnson's. We recommend using Endust.

SERVICE

If your speaker system requires service, contact your authorized THIEL Loudspeakers dealer. If you need to contact THIEL Loudspeakers directly, service information and technical support is available at (859) 254-9427, Monday-Friday, 8:30 a.m. - 5:00 p.m. EST, or via e-mail at service@thielaudio.com. THIEL Loudspeakers dealer information and a "Frequently Asked Questions" section can be found on our web site, www.thielaudio.com.

We Want You Listening For A Lifetime

Used wisely, your new sound equipment will provide a lifetime of enjoyment. Since hearing damage from loud noise is often undetectable until it is too late, **THIEL** Loudspeakers and the Electronics Industries Manufacturers Association recommend you avoid prolonged exposure to excessive noise. Depending on room size and amplifier power, some home audio systems can reach sound pressure levels in excess of 95 decibels with peaks of over a 105 decibels. For your protection, the list below identifies sound levels for various noises.

Decibel

Level	Example
30	Quiet library, soft whispers
40	Living room, refrigerator, bedroom away from traffic
50	Light traffic, normal conversation, quiet office
60	Air conditioner at 20 feet, sewing machine
70	Vacuum cleaner, hair dryer, noisy restaurant
80	Average city traffic, garbage disposals, alarm clock at two feet

The Following Noises Can Be Dangerous Under Constant Exposure

90	Subway, motorcycle, truck traffic, lawn mower
100	Garbage truck, chain saw, pneumatic drill
120	Rock concert in front of speakers, thunderclap
140	Gunshot blast, jet plane
150	Rocket launching pad

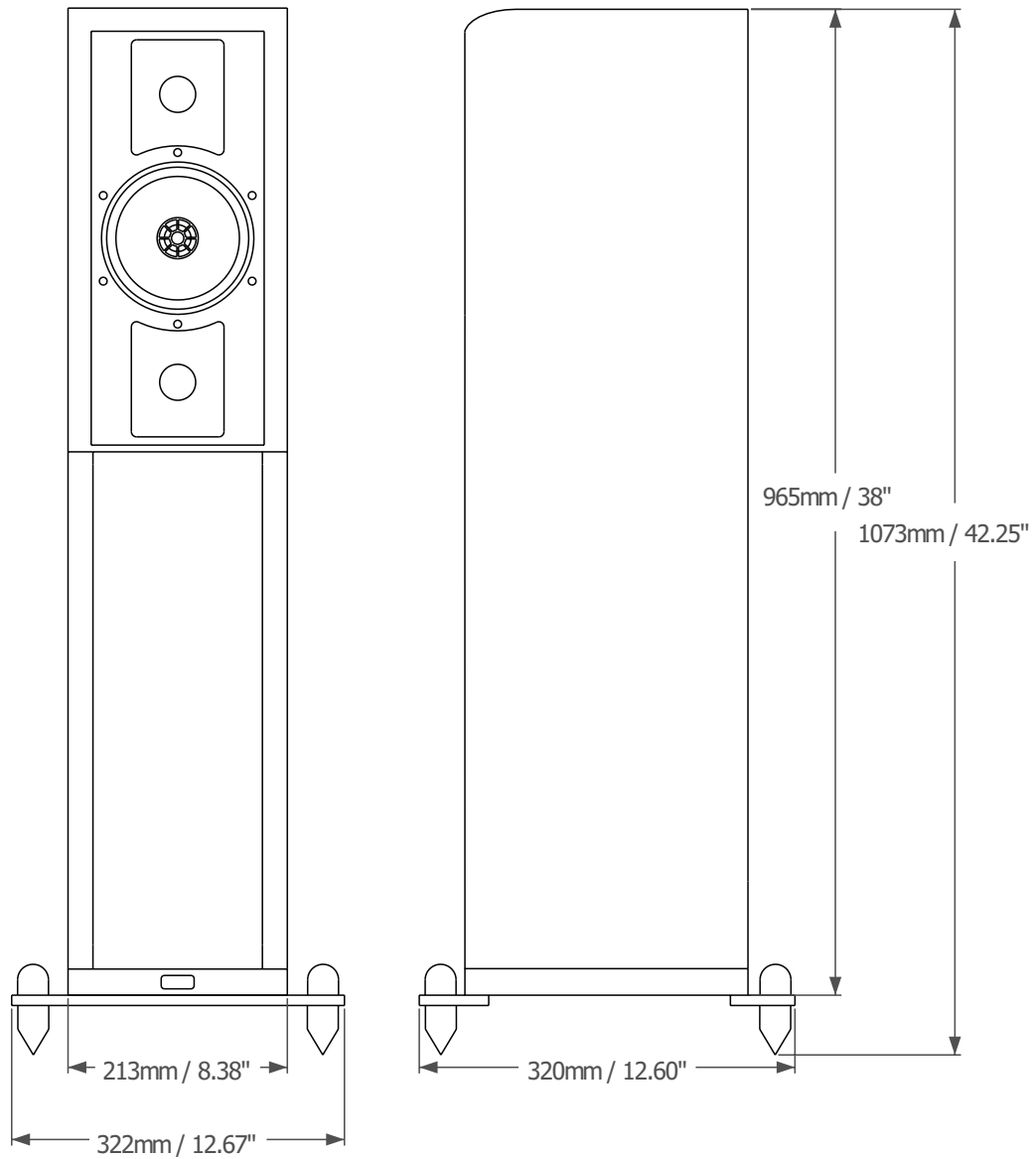
Information courtesy of the Deafness Research Foundation and the EIA.



THIEL SCS4T SPECIFICATIONS

Amplitude Response	47 Hz-20 kHz, -3 dB
Phase Response	Minimum $\pm 10^\circ$
Sensitivity	87 dB@2.8 V-1m
Impedance	4 ohms (3 ohms minimum)
Recommended Power	30-200 watts
Size	8.4 " W x 10.8" D x 17.6" L
Weight	25 pounds

THIEL SCS4T CABINET DIMENSIONS



LIMITED WARRANTY

THIEL Loudspeakers warrants every THIEL model SCS4T system against defects in materials and workmanship to the original owner for a period of ten years from the date of purchase. THIEL will, at no charge, replace any defective part and make any repairs necessary to ensure its proper performance when the defective unit is returned to us postpaid.

This warranty does not cover damage due to accident or abuse and is void if the unit has been tampered with.

This warranty is automatic and no registration is required. This warranty gives you specific legal rights. You may also have other rights which are particular to your state.

The following information is for your records.

Serial Numbers _____

Purchase Date _____

Purchased From _____

You can also register your warranty online at www.thielaudio.com.



THIEL Loudspeakers
1026 Nandino Boulevard
Lexington, Kentucky 40511-1207
Ph: 859-254-9427 • mail@thielaudio.com

www.thielaudio.com