

THIEL

SW1 Subwoofer *using SmartSub™ Technology*



THIEL SW1 Subwoofer

The world's most advanced subwoofer for total sonic integration



The first intelligent subwoofer—simple, seamless, and smart

*THIEL SW1 Subwoofer System:
SW1 SmartSub™ subwoofer cabinet and
SC1 SmartSub™ Controller*



The SW1 system: Brains, brawn, and beauty

The SW1 is the most advanced and versatile subwoofer system available. Its innovative design provides exceptionally deep, uniform, dynamic, and low distortion reproduction for extremely realistic bass. In addition, THIEL's patent-pending SmartSub™ technology enables the SW1 system to overcome the problems exhibited by conventional subwoofers—poor integration with the system's main speakers and altered response due to nearby walls—to deliver near-ideal performance with virtually any type of main loudspeaker and with virtually any room placement. The SW1 is the first intelligent subwoofer—simple, seamless, and smart.

The Subwoofer: Powerful, extremely realistic bass reproduction

The woofer unit is a stand-alone subwoofer for reproducing the “point one” channel in a home theater system. It uses two very high performance, high output 10-inch drivers powered by a high efficiency, 1000 watt switching mode amplifier. The amplifier's circuitry includes the aspects of SmartSub™ technology that correct response problems caused by nearby walls and eliminates compression distortion normally caused by high power to the drivers.

The Controller: Perfect sonic integration for seamless sound

The optional companion SC1 Controller can be used in augment mode to extend the bass range of the main speakers or in crossover mode to transfer the bass energy from the main speakers into the subwoofer for higher output levels. The Controller's SmartSub technology allows near perfect integration with any speaker, regardless of brand, by automatically calculating the subwoofer response that provides seamless integration. The Controller unit has two channel circuitry so that stereo bass can be preserved when used with two or more subwoofer units. It is remote controllable, has balanced and unbalanced low level inputs and outputs, and can be used with up to 16 subwoofer units in very large systems.

THIEL's SmartSub™ Technology

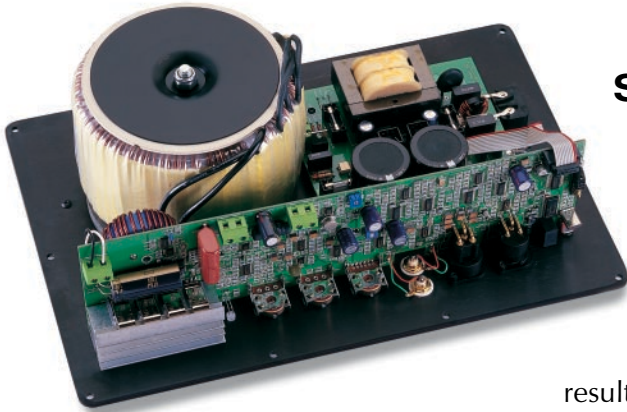
SC1 SmartSub™ Controller



- Perfect integration with any speaker with Smart-Match technology (patent pending)
- Correction of wall and corner placement problems with Smart-Room filter (patent pending)
- Eliminates thermal compression distortion with Smart-Power design (patent pending)

Smart-Match Technology

The innovative SmartSub™ Controller provides unprecedented ability to perfectly match the SW1 to any speaker, regardless of brand or type, for seamless, coherent sound. Other subwoofers require that you endlessly experiment with settings for crossover frequency, level, and phase with no intelligible way of determining optimal settings and often concluding in unsatisfactory results. THIEL's SmartSub technology takes the guesswork out of subwoofer adjustments by automatically calculating the ideal subwoofer response from information you enter about your main speakers. The result is perfectly balanced sonic performance equivalent to a full-range speaker with extremely high output capability and very deep bass.



SW1 SmartSub™ amplifier

Smart-Room Filter

Like any speaker, a subwoofer placed near room walls or in a corner will produce uneven response, with some frequencies being overemphasized and others reduced. Through special circuitry in its amplifier, the SW1 can be easily adjusted to completely and accurately eliminate wall interaction problems for any placement—without microphones, equalizers, or complicated measurements. The result is the elimination of room boundary problems for outstandingly balanced and smooth bass reproduction.

Smart-Power Design

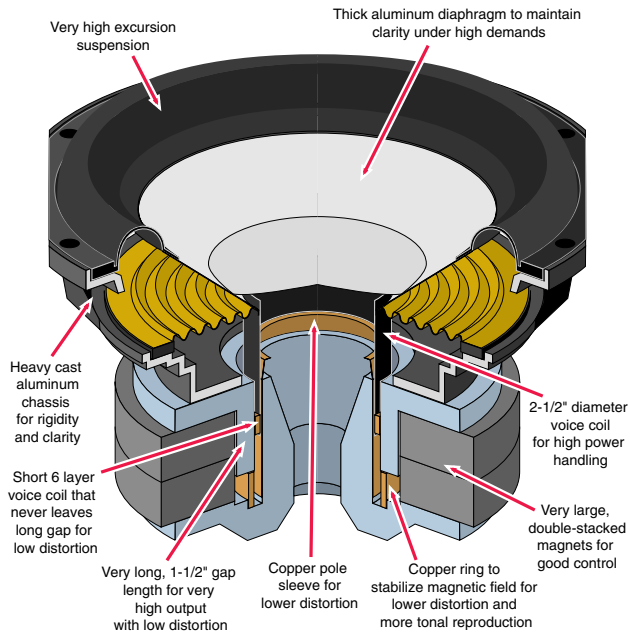
The large amount of power used in small, high output subwoofers can produce substantial heating of the drivers' voice coils which, if uncorrected, lowers output and alters tonal balance. The SW1 amplifier's unique electronic circuitry corrects for compression distortion by measuring voice coil temperature, then automatically compensates for reduced sensitivity and response changes, resulting in more dynamic and tonal low frequency reproduction.

SmartSub™ Technology eliminates the major problems and limitations that conventional subwoofers have in matching the system's main speakers and the room.



SW1
SmartSub™
cabinet

THIEL SW1 Woofer



Advanced design woofers for very extended, high output bass

The SW1 uses two very high output, very low distortion 10-inch drivers. THIEL's innovative short coil/long gap motor systems achieve extremely low distortion and the drivers' aluminum diaphragms contribute to the SW1's outstanding tonal response. 20-pound magnet structures and special high excursion suspensions allow each driver to move a very large amount (65in³) of air for effortless, realistic reproduction of the most demanding sources.



SC1 SmartSub™ Controller



SW1 Subwoofer Specifications:

Subwoofer Cabinet

LFE Input response	17 Hz-300 Hz, ±0.5 dB
Normal input response	12 Hz-300 Hz, ±0.5 dB
Size	11" W x 20" D x 23.5" H
Weight	108 pounds
Acoustic Output	up to 105 dB @ 20 Hz, 112 dB @ 30 Hz
Sensitivity	1 volt for 120 dB@1m

Amplifier

Type	Switching, Class D
Power	1000 watts, RMS

Controller

Distortion	less than .1% at 3 volt output
Size	17" W x 8.25" D x 1.75" H

SW1 Warranty

10 Years

Beautiful cabinets finished especially for you

THIEL's wide choice of cabinet finishes is a decorator's dream. Hand-selected wood veneers are beautifully finished to enhance any home decor. We can stain or paint a cabinet, and our craftsmen can even custom match your favorite piece of furniture.



Let us customize a cabinet especially for you. We can paint, stain, and even match a cabinet to your furniture.

Visit www.thielaudio.com for complete information about how easy it is to set-up and use the SW1

THIEL

Ultimate Performance Loudspeakers

1026 Nandino Boulevard, Lexington, KY 40511 • Telephone 859-254-9427 • Fax: 859-254-0075
E-mail: mail@thielaudio.com • Web: www.thielaudio.com